



FMC-1000MS

10/100/1000Base-T to 100/1000Base-X SFP Web Smart OAM Managed Converter

The FMC-1000MS family are Gigabit Ethernet 10/100/1000Base-T to 100/1000Base-X Web Smart OAM/IP managed fiber media converters, which provide simple control and setting function on each Ethernet port through out of band network via a Web browser. The FMC-1000MS media converters give you the fiber cabling connector, SFP-LC Both multi-mode and single mode converter models are available as well as BiDi which allows bi-directional transmissions using only a single fiber cable. Auto-negotiation will automatically tailor to convert both half-duplex and full-duplex signals, according to IEEE802.3u standards. LED indicators signal the power status of the converter, UTP port speed, Link, and duplex status, FX port Link and duplex status.

Features

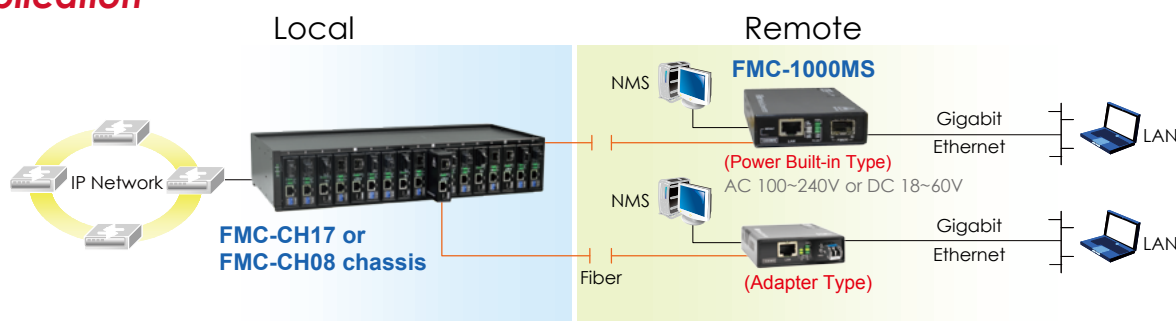
- 10/100/1000Base-T to 100/1000Base-X Converter
- Auto-Cross over for MDI/MDIX in TP port
- Auto-Negotiation or Manual mode in TP port
- Supports flow control Enable or Disable
- Supports Jumbo Frame 9K Packet
- Ingress/Egress Bandwidth control
- Supports IEEE802.3ah OAM management
- Firmware upgrade via Web
- Digital Diagnostic (DOM) SFP Support
- Management Password Setting
- Dying gasp (remote power failure detection)
- Supports Link Fault Pass-Through (LFPT) Function
- Supports Auto Laser Shutdown (ALS) Function
- Web management on stand-alone.
- Supports D/D function for SFP fiber transceiver
- Supports On-Line F/W upgrade (local) by the Web manager
- Supports 16 Tag VLAN Group
- RMON counters

Specifications

Optical Interface	Connector	SFP LC
Data rate	125/1250Mbps	
Duplex mode	Full duplex	
Fiber	MM 50/125µm, 62.5/125µm SM 9/125µm	
Distance	MM 2km, SM 15/30km WDM 20/40km	
Wavelength	MM 1310nm, SM 1310,1550nm WDM 1310Tx/1550Rx (Type A) 1550Tx/1310Rx (Type B)	
Electrical Interface	Connector	RJ-45
Data rate	10Mbps, 100Mbps, 1000Mbps	
Duplex mode	Half / Full duplex	
Cable	10Base-T Cat.3, 4, 5, UTP 100Base-TX Cat.5, 5e or higher	

Standards	IEEE 802.3, IEEE 802.3u IEEE 802.3ab, 802.3z
Indications	LED (Power, FX-Link, LAN Speed, LAN Link)
Power Input	Adapter Type: DC 12V Power Built-in Type : AC 100 ~ 240V Power Built-in Type : DC 18 ~ 60V
Power Consumption	< 3W
Dimensions (D x W x H)	Adapter Type : 108 x 73.4 x 23mm Power Built-in Type : 135 x 73.4 x 23mm
Weight	Adapter Type : 120g Power Built-in Type : 140g
Temperature	0 ~ 50°C (Operating), -10 ~ 70°C (Storage)
Humidity	10 ~ 90% non-condensing
Certification	CE, FCC, RoHS compliant
MTBF	65,000 hrs

Application



Ordering Information

Model Name	Description
FMC-1000MS	10/100/1000Base-T to 100/1000Base-X SFP Web Smart Managed Media Converter (optional SFP module) Adapter Type
FMC-1000MS-AC,DC	10/100/1000Base-T to 100/1000Base-X SFP Web Smart Managed Media Converter (optional SFP module) with AC or DC Power

Power Type
FMC - 1000MS - □□
 Example: FMC - 1000MS - DC